

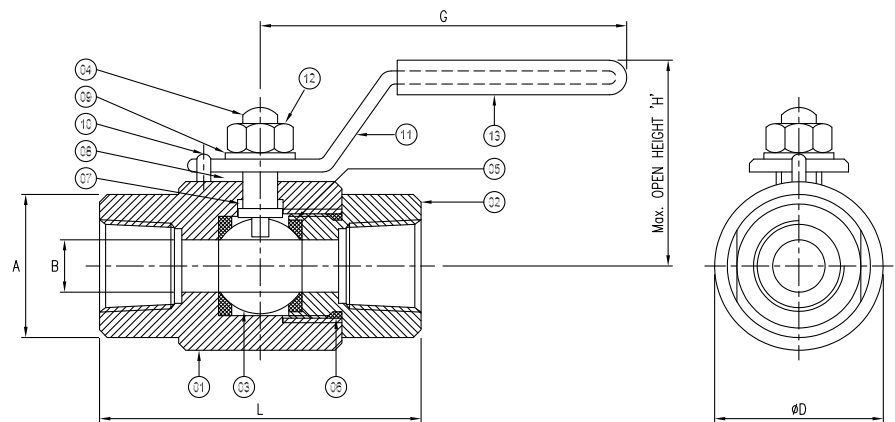
2 PIECE BALL VALVE

Pressure : 3,000 PSI

Design No. ABV/3K/FF-N

FEATURES

- Bar Stock design.
- Bi-directional valve.
- Panel mounting option available.
- Pressure rating : 3000 PSI.



#	Description	Material of Construction			Qty.
1	Boby	SS 316	SS 304	CS A105	1
2	Adopter	SS 316	SS 304	CS A105	1
3	Ball	SS 316	SS 304	SS 304	1
4	Stem	SS 316	SS 304	SS 304	1
5	Seats	PT.F.E.	PT.F.E.	PT.F.E.	2
6	Joint Seal	Viton	Viton	Viton	1
7	Gland Seals	PT.F.E.	PT.F.E.	PT.F.E.	1

#	Description	Material of Construction			Qty.
8	Retainer	SS 304	SS 304	SS 304	1
9	Washer	SS 304	SS 304	CS Plated	1
10	Stop Pin	SS 304	SS 304	SS 304	1
11	Handle	SS 304	SS 304	CS Plated	1
12	Nut	SS 304	SS 304	CS Plated	1
13	Sleeve	P.V.C.	P.V.C.	P.V.C.	1

Part No.	INLET NPT-F	OUTLET NPT-F	Dimension						Cv
			L	A	D	B	H	G	
ABV/3K/FF-2N	1/8"	1/8"	58	25	32	4.5	38	95	1.12
ABV/3K/FF-4N	1/4"	1/4"	58	25	32	6.4	38	95	2.10
ABV/3K/FF-6N	3/8"	3/8"	58	25	32	9	38	95	8.35
ABV/3K/FF-8N	1/2"	1/2"	75	32	38	11.5	52	135	10.15
ABV/3K/FF-12N	3/4"	3/4"	80	38	45	19	54	135	16.80
ABV/3K/FF-16N	1"	1"	87	50	55	25	60	150	19.25

OPTIONAL

- BSPP, BSPT, NPSM, Socket weld or Butt weld connection, on request.
- Male to Female connection

PRESSURE TEST

- Every Ball valve is factory tested.



Arya Crafts & Engineering Pvt. Ltd.

102, Vora Industrial Estate #4, Navghar,
Vasai Road (E), Mumbai 401 210, India.
Tel +91-250-239 2246 / 0046 Fax +91-250-239 3423
Email : engcrafts@vsnl.net http://www.aryaengg.com

Note : Dimensions are reference only and are subject to change.

Warning for Your Safety

The system designer and user have the sole responsibility to select products suitable for their special application requirements to ensure the proper installation. Operation and maintenance of the product. Application details, material compatibility and product ratings should all be considered in the individual selection. Improper selection or use of products can cause property damage or personal injury. Arya accept no liability for any improper selection, installation, operation or maintenance.

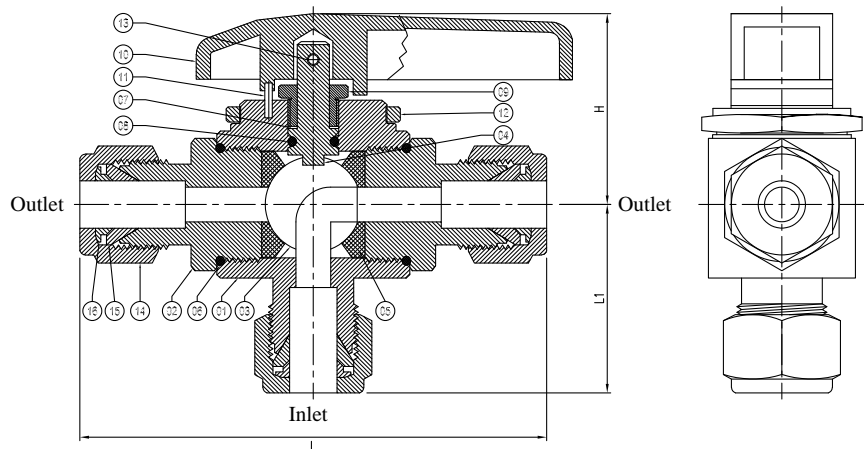
3 WAY PANEL BALL VALVE - TUBE END

Pressure : 6,000 psi Bottom port Inlet

Design No. ABV/6K/3T

FEATURES

- Bar Stock design.
- Tube-directional valve.
- Pressure rating : 6000 PSI.
- Phenolic Handle.



#	Description	Material of Construction	Qty.	#	Description	Material of Construction	Qty.
1	Body	SS 316	1	9	Gland Nut	SS 316	1
2	Adopter	SS 316	2	10	Handle	Nyton	1
3	Ball	SS 316	1	11	Stop Pin	SS 316	1
4	Spindle	SS 316	1	12	Panel Nut	SS 316	1
5	Seat	PTFE / POM	2	13	L N Screw	SS 304	1
6	Joint Seal	Viton / Buna-N	2	14	Nut	SS 316	3
7	Gland Seal	PT.F.E	1	15	Front Ferrule	SS 316	3
8	'O' Ring	Viton / Buna-N	1	16	Back Ferrule	SS 316	3

Part No.	INLET/OUTLET Tube OD	Dimension			Cv
		L	H	L1	
ABV/6K/3T-2	1/8"	78	55	33	0.21
ABV/6K/3T-4	1/4"	82	55	36	0.70
ABV/6K/3T-6	3/8"	86	55	38	0.87
ABV/6K/3T-8	1/2"	92	60	44	1.35
ABV/6K/3T-12	3/4"	98	65	48	3.10
ABV/6K/3T-16	1"	110	70	52	4.10
ABV/6K/3T-3M	3mm	78	55	33	0.21
ABV/6K/3T-6M	6mm	82	55	36	0.70
ABV/6K/3T-10M	10mm	86	55	38	0.87
ABV/6K/3T-12M	12mm	92	60	44	1.35
ABV/6K/3T-18M	18mm	98	65	48	3.10
ABV/6K/3T-24M	24mm	110	70	52	4.10

OPTIONAL

- End connections BSPT (F), NPT (F)

PRESSURE TEST

- Every Ball valve is factory tested.

Note : Dimensions are reference only and are subject to change.

Warning for Your Safety

The system designer and user have the sole responsibility to select products suitable for their special application requirements to ensure the proper installation. Operation and maintenance of the product. Application details, material compatibility and product ratings should all be considered in the individual selection. Improper selection or use of products can cause property damage or personal injury. Arya accept no liability for any improper selection, installation, operation or maintenance.



Arya Crafts & Engineering Pvt. Ltd.

102, Vora Industrial Estate #4, Navghar,
Vasai Road (E), Mumbai 401 210, India.
Tel +91-250-239 2246 / 0046 Fax +91-250-239 3423
Email : engcrafts@vsnl.net http://www.aryaengg.com

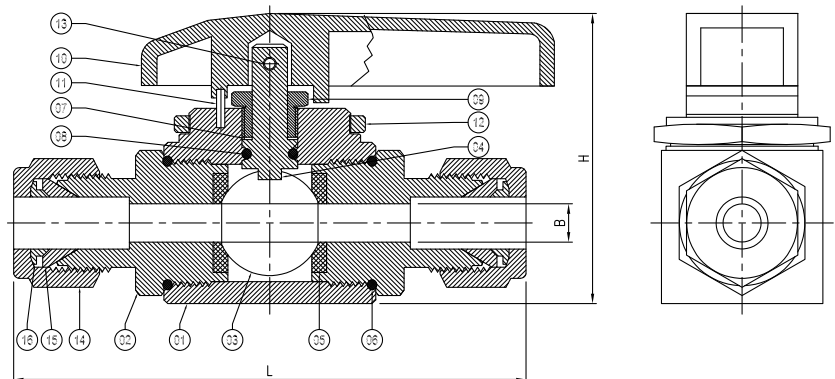
2 WAY PANEL BALL VALVE - TUBE END

Pressure : 6,000 PSI

Design No. ABV/6K/PT

FEATURES

- Bar Stock design.
- Bi-directional valve.
- Pressure rating : 6000 PSI.
- Phenolic Handle.



#	Description	Material of Construction	Qty.	#	Description	Material of Construction	Qty.
1	Body	SS 316	1	9	Gland Nut	SS 316	1
2	Adopter	SS 316	2	10	Handle	Nyton	1
3	Ball	SS 316	1	11	Stop Pin	SS 316	1
4	Spindle	SS 316	1	12	Panel Nut	SS 316	1
5	Seat	P.T.F.E.	2	13	L N Screw	SS 304	1
6	Joint Seal	Viton / Buna-N	2	14	Nut	SS 316	2
7	Gland Seal	P.T.F.E.	1	15	Front Ferrule	SS 316	2
8	'O' Ring	Viton / Buna-N	1	16	Back Ferrule	SS 316	2

Part No.	INLET/OUTLET	Dimension			Cv
	Tube OD	L	B	H	
ABV/6K/PT-2	1/8"	73	2.4	55	0.26
ABV/6K/PT-4	1/4"	78	4.8	55	1.04
ABV/6K/PT-6	3/8"	83	7	55	2.34
ABV/6K/PT-8	1/2"	102	10	60	5.80
ABV/6K/PT-12	3/4"	115	15	65	6.42
ABV/6K/PT-16	1"	135	19	70	7.82
ABV/6K/PT-4M	4mm	73	2.4	55	0.26
ABV/6K/PT-6M	6mm	78	4.8	55	1.04
ABV/6K/PT-10M	10mm	83	7	55	2.34
ABV/6K/PT-12M	12mm	102	10	60	5.80
ABV/6K/PT-18M	18mm	115	15	65	6.42
ABV/6K/PT-25M	25mm	135	19	70	7.82

OPTIONAL

- End connections BSPT (F), NPT (F)

PRESSURE TEST

- Every Ball valve is factory tested.

Note : Dimensions are reference only and are subject to change.

Warning for Your Safety

The system designer and user have the sole responsibility to select products suitable for their special application requirements to ensure the proper installation. Operation and maintenance of the product. Application details, material compatibility and product ratings should all be considered in the individual selection. Improper selection or use of products can cause property damage or personal injury. Arya accept no liability for any improper selection, installation, operation or maintenance.



Arya Crafts & Engineering Pvt. Ltd.

102, Vora Industrial Estate #4, Navghar,
Vasai Road (E), Mumbai 401 210, India.
Tel +91-250-239 2246 / 0046 Fax +91-250-239 3423
Email : engcrafts@vsnl.net http://www.aryaengg.com

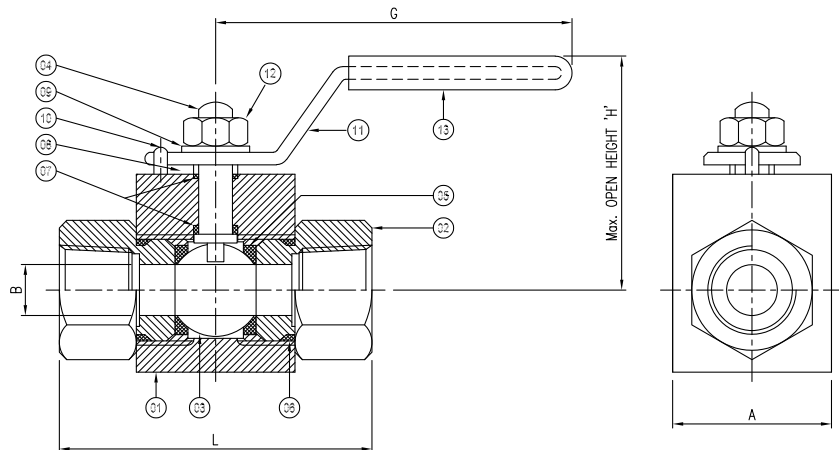
HIGH PRESSURE BALL VALVE - 3 PIECE

Pressure : 6,000 PSI / 10,000 PSI

Design No. ABV/6K
Design No. ABV/10K

FEATURES

- Bar Stock design.
- Bi-directional ball valve.
- Panel mounting option available.
- Pressure rating : 6000 PSI.



#	Description	Material of Construction			Qty.	#	Description	Material of Construction			Qty.
1	Body	SS 316	SS 304	CS A105	1	8	Retainer	SS	SS	SS	1
2	Adopter	SS 316	SS 304	CS A105	2	9	Washer	SS	SS	C.S.	1
3	Ball	SS 316	SS 304	SS304	1	10	Stop Pin	SS	SS	SS	1
4	Stem	SS 316	SS 304	SS304	1	11	Handle	SS	SS	CS Plated	1
5	Seats	P.T.F.E.	P.T.F.E.	P.T.F.E.	2	12	Nut	SS	SS	CS Plated	1
6	Joint Seal	Viton	Viotn	Viton	2	13	Sleeve	P.V.C.	P.V.C.	P.V.C.	1
7	Gland Seals	PT.F.E.	PT.F.E.	PT.F.E.	2						

Part No.*	IN/OUTLET NPT-F	Dimension					Cv
		L	G	H	B	A	
ABV/6K/FF/2N	1/4"	66	120	44	6.4	30	9.6
ABV/6K/FF/4N	3/8"	71	120	48	9.5	32	9.6
ABV/6K/FF/8N	1/2"	84	140	55	12	35	9.6
ABV/6K/FF/12N	3/4"	95	192	75	19	50	13
ABV/6K/FF/16N	1"	110	192	80	25	56	13
ABV/6K/FF/20N	1 1/4"	118	195	90	32	70	13
ABV/6K/FF/24N	1 1/2"	130	220	110	38	80	16
ABV/6K/FF/32N	2"	140	270	120	50	98	16

*For 10,000 PSI, replace 6K with 10K in Part No.

OPTIONAL

- BSPT, & BSPP End connection.

PRESSURE TEST

- Every Ball valve is factory tested.

Note : Dimensions are reference only and are subject to change.

Warning for Your Safety

The system designer and user have the sole responsibility to select products suitable for their special application requirements to ensure the proper installation. Operation and maintenance of the product. Application details, material compatibility and product ratings should all be considered in the individual selection. Improper selection or use of products can cause property damage or personal injury. Arya accept no liability for any improper selection, installation, operation or maintenance.

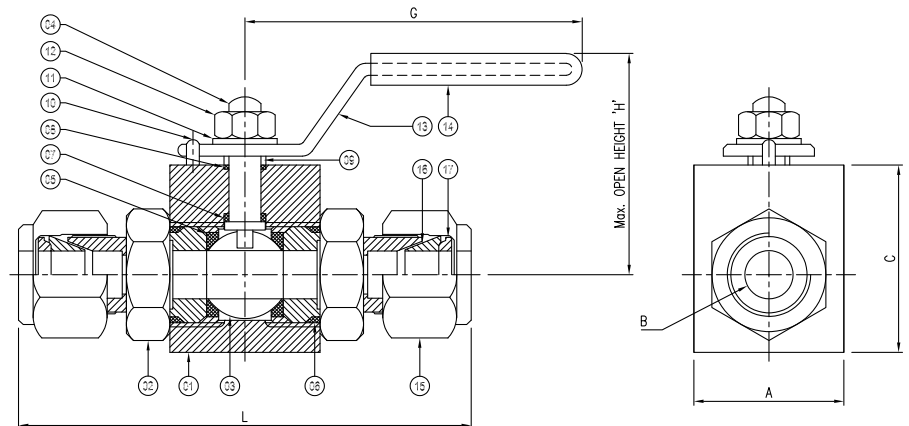


Arya Crafts & Engineering Pvt. Ltd.

102, Vora Industrial Estate #4, Navghar,
Vasai Road (E), Mumbai 401 210, India.
Tel +91-250-239 2246 / 0046 Fax +91-250-239 3423
Email : engcrafts@vsnl.net http://www.aryaengg.com

FEATURES

- Bar Stock design.
- Bi-directional ball valve.
- Panel mounting option available.
- Pressure rating : 6000 PSI.



#	Description	Material of Construction	Qty.	#	Description	Material of Construction	Qty.
1	Body	SS 316	1	10	Stop Pin	SS 304	1
2	Adopter	SS 316	2	11	Washer	CS Plated	1
3	Ball	SS 316	1	12	Stem Nut	CS Plated	1
4	Stem	SS 316	1	13	Handle	CS Plated	1
5	Seats	P.T.F.E.	2	14	Sleeve	P.V.C.	1
6	Joint Seal	Viton	2	15	Nut	SS 316	2
7	Gland Seals	PT.F.E	1	16	Front Ferrule	SS 316	2
8	Back-up Seal	PT.F.E.	1	17	Back Ferrule	SS 316	2
9	Retainer	SS 304	1				

Part No.	INLET/ OUTLET	Dimension						Cv
		OD	L	A	C	B	H	
ABV/6K/T-2	1/8"	72	25	28	2.5	37	95	0.29
ABV/6K/T-4	1/4"	80	25	30	4.8	38	95	1.30
ABV/6K/T-6	3/8"	85	28	32	7	38	95	2.60
ABV/6K/T-8	1/2"	97	32	38	10	52	135	9.85
ABV/6K/T-12	3/4"	110	40	45	15	55	135	16.88
ABV/6K/T-16	1"	120	42	45	19	55	150	18.80
ABV/6K/T-4M	4mm	72	25	28	2.5	37	95	0.29
ABV/6K/T-6M	6mm	80	25	30	4.8	38	95	1.30
ABV/6K/T-10M	10mm	85	28	32	7	38	95	2.60
ABV/6K/T-12M	12mm	97	32	38	10	52	135	9.85
ABV/6K/T-18M	18mm	110	40	45	15	55	135	16.88
ABV/6K/T-25M	25mm	120	42	45	19	55	150	18.80

PRESSURE TEST

- Every Ball valve is factory tested.

Note : Dimensions are reference only and are subject to change.

Warning for Your Safety

The system designer and user have the sole responsibility to select products suitable for their special application requirements to ensure the proper installation. Operation and maintenance of the product. Application details, material compatibility and product ratings should all be considered in the individual selection. Improper selection or use of products can cause property damage or personal injury. Arya accept no liability for any improper selection, installation, operation or maintenance.



Arya Crafts & Engineering Pvt. Ltd.

102, Vora Industrial Estate #4, Navghar,
Vasai Road (E), Mumbai 401 210, India.
Tel +91-250-239 2246 / 0046 Fax +91-250-239 3423
Email : engcrafts@vsnl.net http://www.aryaengg.com